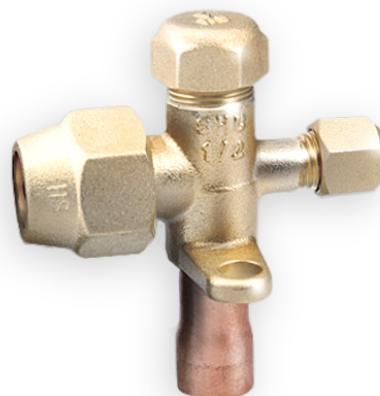




SSV SERIES

BRASS SERVICE VALVE

Brass service valves of series SSV are applicable for split air conditioners to connect indoor unit and outdoor unit. It can also be used in other cooling or refrigeration systems. The inner path of the valve can be closed by operating the valve stem. The 3way version (with charge port) can be used as service valve for vacuum pumping and refrigerant injection.



FEATURES

- AVAILABLE WITHOUT AND WITH CHARGE PORT
- COST EFFICIENT SOLUTION
- RELIABLE AND ROBUST DESIGN

GENERAL SPECIFICATIONS

- Applicable for all common HFC and HFO refrigerants¹⁾ such as: R134a, R404A, R407C, R410A, R507A, R407A, R407F, R448A, R449A, R452A, R450A, R513A, R290, R1234ze(E), R1234yf, R32, R452B, R454B, R454C
- Ambient temperature min./max.: -30°C / +55°C
- Medium temperature TS min./max.: -30 °C / +120°C
- Max. operating pressure PS: 4,9 MPa (49 bar)
- Installation position: Preferably liquid and suction line
- Certifications: PED declaration

Note: 1) For cooling capacities please refer to Sanhua selection tool

GENERAL CHARACTERISTICS

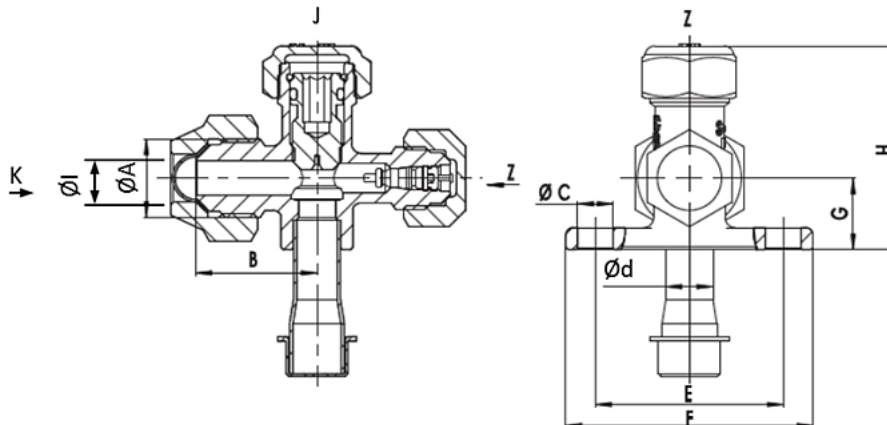
| Model | Part Number ¹⁾ | Connections | | | | Cooling capacity [kW] | PED Category |
|----------------|---------------------------|--------------|--------|---------|-------------------------|----------------------------|--------------|
| | | ØA Flare | Ød ODF | ØI Pipe | Charge Port Flare (SAE) | | |
| | | [inch] | [inch] | [mm] | [inch] | | |
| SSV-A2GSHC-23 | 10165068702 | 7/16-20UNF | 1/4 | 4,8 | - | 0,7 - 1,5 | 4.3 |
| SSV-JA3GSHC-20 | 10165068602 | 5/8-18UNF | 3/8 | 7 | 5/16 | 0,7 - 3,7 | 4.3 |
| SSV-JA4GSHC-19 | 10165070602 | 3/4-16UNF | 1/2 | 10 | 5/16 | 1,1 - 7,5 | 4.3 |
| SSV-JA5GSHC-15 | 10165068802 | 7/8-14UNF | 5/8 | 12,5 | 5/16 | 1,5 - 8,8 | 4.3 |
| SSV-JA6GSHC-13 | 10165070302 | 1 1/16-14UNS | 3/4 | 16 | 5/16 | 3,7 - 5,9 | 4.3 |
| SSV-JA3GSHC-44 | 10165366802 | 5/8-18UNF | 3/8 | 7 | 1/4 | 0,7 - 3,7 | 4.3 |
| SSV-JA4GSHC-44 | 10165366902 | 3/4-16UNF | 1/2 | 10 | 1/4 | 1,1 - 7,5 | 4.3 |
| SSV-JA5GSHC-32 | 10165367002 | 7/8-14UNF | 5/8 | 12,5 | 1/4 | 1,5 - 8,8 | 4.3 |
| SSV-JA6GSHC-25 | 10165375502 | 1 1/16-14UNS | 3/4 | 16 | 1/4 | 3,7 - 5,9 | 4.3 |

Note: 1) Extent of delivery:
 - SSV-JA valve body with schrader valve, cap charge port, cap shut-off valve, nut pipe connection
 - SSV-A valve body, cap shut-off valve, nut pipe connection, without charge port

BRASS SERVICE VALVE



DIMENSIONS



| Model | Part Number | Dimensions [mm] | | | | | | Wrench Size [mm] | | | |
|-----------------|-------------|-------------------|-----|----|----|----|----|-----------------------|----------------------|-----------------------------|-------------------|
| | | B | ØC | E | F | G | H | Nut Pipe Connection K | Cap Shut-off Valve J | Valve ¹⁾ Steam J | Cap Charge Port Z |
| SSV-A2GSHC-23 | 10165068702 | 23,5 | 7,2 | 38 | 50 | 14 | 36 | 17 | 19 | 5 | - |
| SSV-JA3GSHC-20 | 10165068602 | 25 | 7,2 | 38 | 50 | 14 | 41 | 22 | 19 | 5 | 17 |
| SSV-JA4GSHC-19 | 10165070602 | 32 | 7,2 | 38 | 50 | 16 | 44 | 24 | 22 | 5 | 17 |
| SSV-JA5GSHC-15 | 10165068802 | 35 | 7,2 | 38 | 54 | 18 | 50 | 27 | 26 | 5 | 17 |
| SSV-JA6-GSHC-13 | 10165070302 | 48,5 | 8 | 44 | 60 | 25 | 64 | 32 | 30 | 5 | 17 |
| SSV-JA3GSHC-44 | 10165366802 | 25 | 7,2 | 38 | 50 | 14 | 41 | 22 | 19 | 5 | 14 |
| SSV-JA4GSHC-44 | 10165366902 | 32 | 7,2 | 38 | 50 | 16 | 44 | 24 | 22 | 5 | 14 |
| SSV-JA5GSHC-32 | 10165367002 | 35 | 7,2 | 38 | 54 | 18 | 50 | 27 | 26 | 5 | 14 |
| SSV-JA6GSHC-25 | 10165375502 | 48,5 | 8 | 44 | 60 | 25 | 64 | 32 | 30 | 5 | 14 |

Note: 1) Allen screw

For complete product family information please visit us at www.sanhuaeurope.com and download the full range of datasheet at TECHNICAL INFORMATION LINK.